

# SILLCOCK VALVE



## PHYSICAL CHARACTERISTICS

- Connection type: Female thread
- 3/4" hose thread outlet
- Max. temperature rating: 82° F/28° C
- Max. pressure ratings: 125 PSI
- Meets ANSI/NSF 61-9 requirements
- ASME A112.18.1/CSA B125 certified

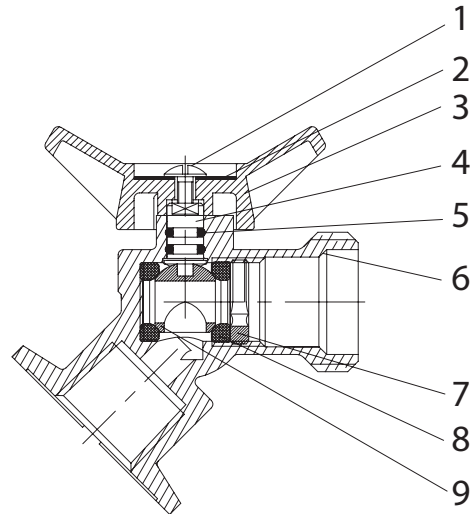
## ITEM NUMBERS

|             |              |
|-------------|--------------|
| VSC-QTR-B3B | VSC-QTR-B3PA |
| VSC-QTR-B4B | VSC-QTR-B4PA |

## CERTIFICATIONS



| NO. | DESCRIPTION | MATERIAL |
|-----|-------------|----------|
| 1   | Screw       | S.S.     |
| 2   | Name plate  | Aluminum |
| 3   | Handle      | Aluminum |
| 4   | Stem        | Brass    |
| 5   | O-ring      | Rubber   |
| 6   | Body        | Brass    |
| 7   | Cap         | Brass    |
| 8   | Ball seat   | Teflon   |
| 9   | Ball        | Brass    |



## LIMITED LIFETIME WARRANTY

The distributor warrants to the original consumer purchaser this product to be free from defects in material and workmanship under normal use in residential applications. At its option, the Company will provide repair parts or replace defective product when the product is used in accordance with the manufacturer's specifications.

This warranty is not applicable to any products or parts of products where damage is caused by use of non-genuine parts; is due to installation error, product misuse, negligence or faulty maintenance; or where the product is not installed according to local building codes.

This warranty excludes labor charges or damage incurred during installation, repair or replacement, and any indirect, incidental or consequential damages, losses, injury or costs of any nature. This warranty is in

lieu of and excludes all other warranties, conditions and guarantees, whether expressed or implied, including without restriction those of merchantability or fitness of use.

Liability under this warranty will not exceed the purchase price for the product claimed to be defective by the original consumer purchaser. Some states or provinces do not allow the exclusion or limitation of consequential damages so the above limitations or exclusions may not apply. This warranty gives you specific legal rights and you may also have other rights which vary from state to state, or province to province.

Inquiries regarding warranty claims can be directed to 1-866-319-3757, 8 a.m. - 5 p.m., CST, Monday - Friday.